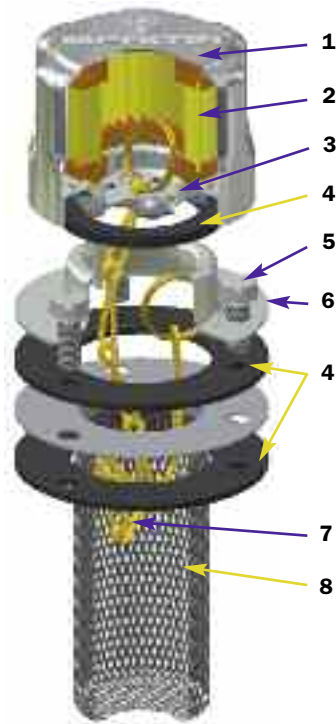


Metal oil filler and air breather filler caps

Series TA 46

Dimensions



TA46 B (Materials)

- 1 - Cover: Chrome Plated Steel
- 2 - Filter element: Impregnated paper
Polyurethane
- 3 - 6 - Flange: Galvanised Steel
- 4 - Seals: NBR
Cork Gasket
- 5 - Screws: Galvanised Steel
- 7 - Chain, ring: Brass
- 8 - Basket: Galvanised Steel

Flow rates with Δp : 0,02 bar

Filtration	l/min
3 μm	150
10 μm	200

Weight

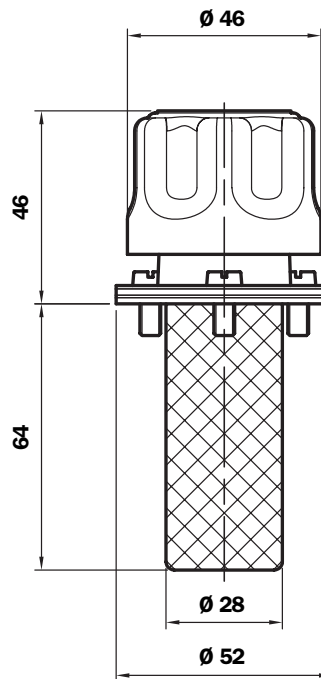
TA 46: 0,100 kg

TA 46 B

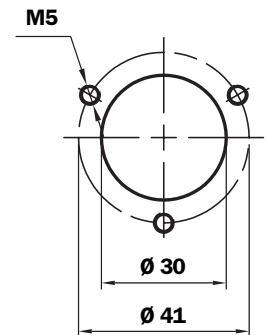
Bayonet connection
Non-removable strainer



Bayonet connection



Reservoir holes

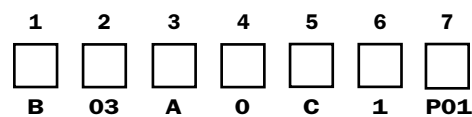


Ordering information

Filler cap

TA46

Example: TA46



1 - Connection to reservoir

B Flange with bayonet connection

2 - Filter element

03 3 μm - Impregnated paper
10 10 μm - Polyurethane

3 - Seal

A NBR
B Cork gasket

4 - Valves

0 Without valves

5 - Variants

0 Standard
C With chain

6 - Basket

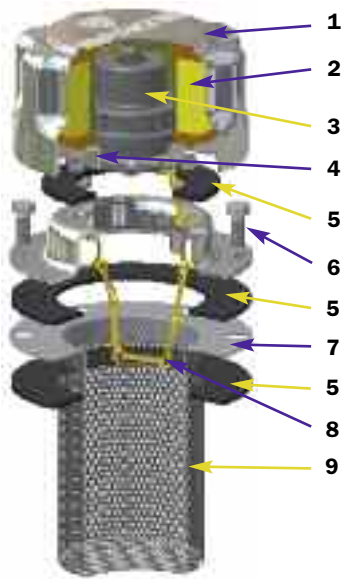
0 Without
1 L= 65 mm

7 - Options

P01 MP Filtri standard

Series TA 80

Metal oil filler and air breather filler caps



TA80 B/D (Materials)

- 1** - Cover: Chrome Plated Steel
- 2** - Filter element: Impregnated paper
Polyurethane
- 3** - Pressurisation valve:
Bodies: Nylon
- End cap-disk: Galvanised Steel
- Spring: Steel
- Seals: NBR
- 4** - Flange and anti-splash feature: Galvanised Steel
- 5** - Seals: Cork Gasket
NBR
- 6** - Screws: Galvanised Steel
- 7** - Flange: Galvanised Steel
- 8** - Chain, ring: Brass
- 9** - Basket TA80B: Galvanised Steel

Flow rates with Δp : 0,02 bar

Filtration	l/min
3 μm	450
10 μm	550

Weight

Strainer L 80 mm:	0,330 Kg
Strainer L 150 mm:	0,350 Kg

TA 80 B

Bayonet connection
Non-removable basket



TA 80 B

Bayonet connection
With Padlock tab



TA 80 D

Bayonet connection
Removable basket



TA80B00....P01

Bayonet connection
Closed filler cap without
filter element



TA80B10....P01

Bayonet connection
Filler cap with filter
element



TA80B03.9..P01

Bayonet connection
Filler cap with anti-splash
feature and filter element



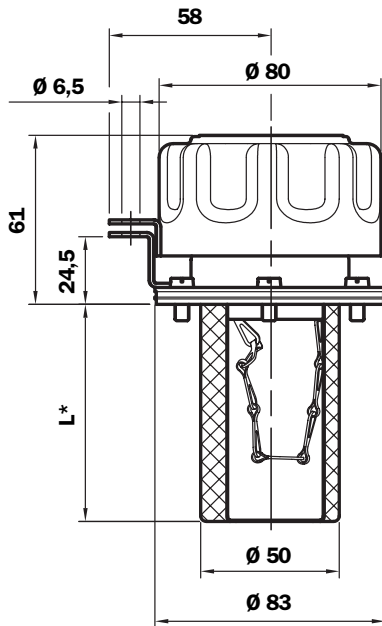
TA80B10.1..P01

Bayonet connection
Filler cap with
pressurisation valve
and filter element

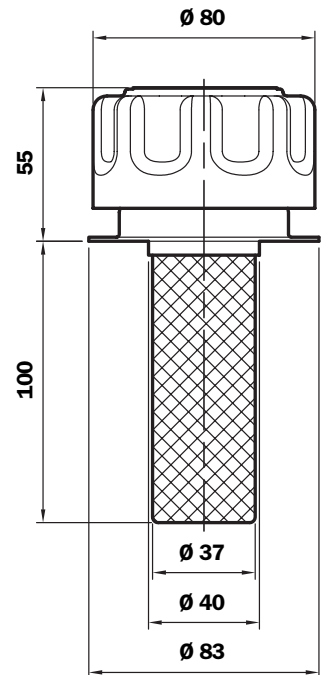


Dimensions

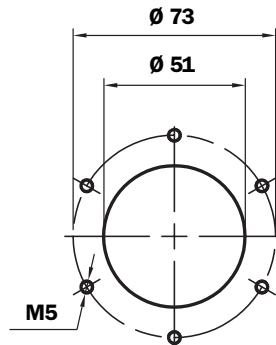
Bayonet connection



Weld flange



Reservoir holes

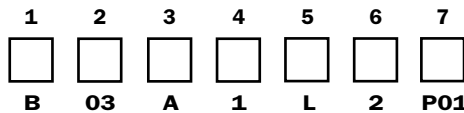


Ordering information

Filler cap

TA80

Example: **TA80**



1 - Connection to reservoir

- B** Flange with bayonet connection
- D** Weld flange

2 - Filter element

- 00** Without filter (Blank filler cap)
- 03** 3 µm - Impregnated paper
- 10** 10 µm - Polyurethane

3 - Seal

- A** NBR
- B** Cork gasket

4 - Valves

- 0** Without
- 1** 0,3 bar pressurisation valve (only with seals NBR)
- 2** 0,7 bar pressurisation valve (only with seals NBR)
- 9** Anti-splash feature (only with filter element 3 µm)

5 - Variants

- 0** Standard
- L** With Padlock tab (B versions only)

6 - Basket

- 0** Without
- 1** *L= 80 mm (B versions only)
- 2** *L= 150 mm (B versions only)
- 3** *L= 100 mm (D versions only)

7 - Options

- P01** MP Filtri standard